

“Controls for Fuel Cell Vehicles”

Invited Presentation

**“Controls for Fuel Cells” Workshop
National Fuel Cell Research Center (NFCRC)
University of California, Irvine, California
3-4 April 2003**

Dr. R. M. Moore, rmmoore@ucdavis.edu

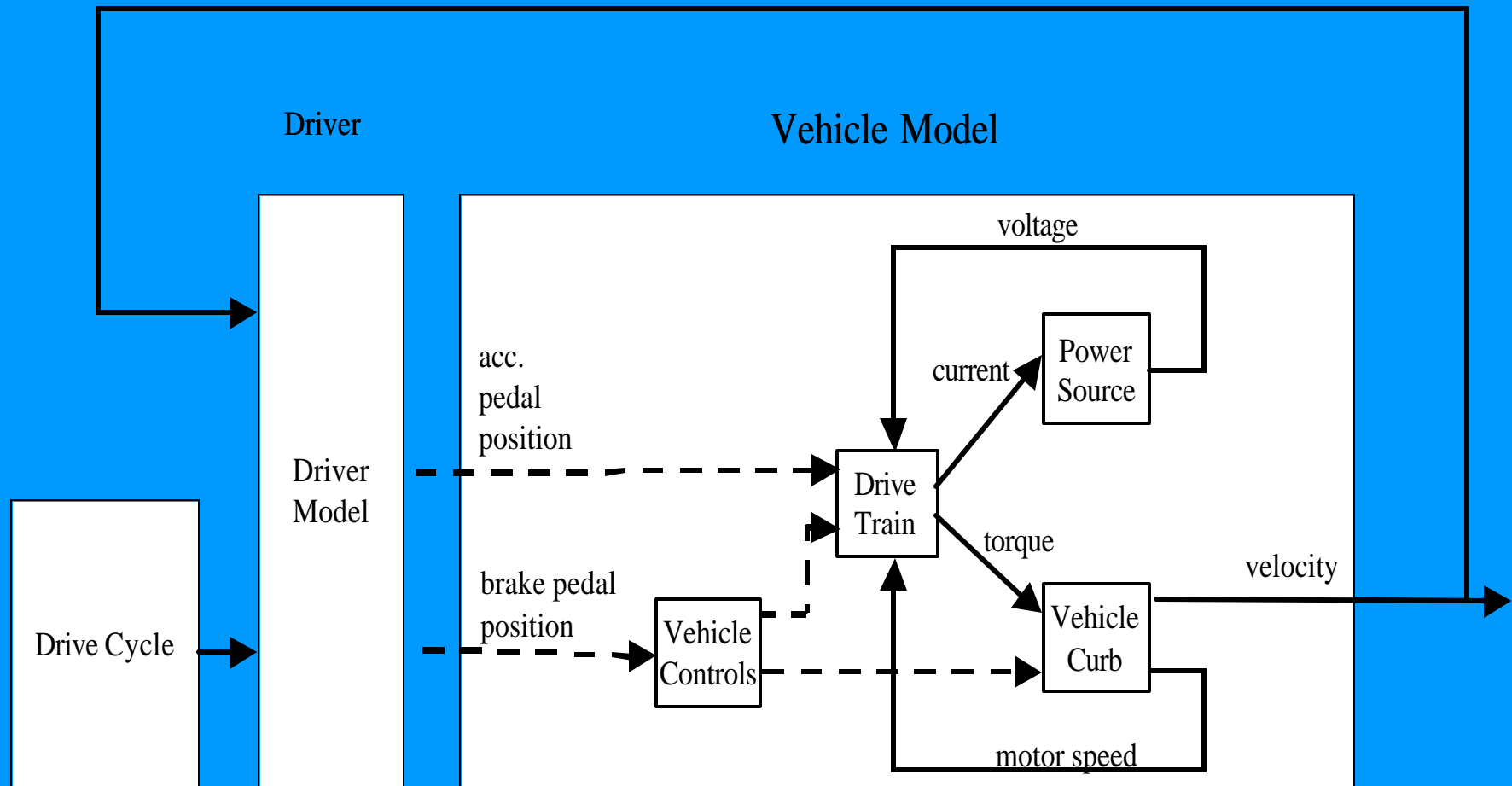
Director, Fuel Cell Vehicle Modeling Project, <http://fcv.ucdavis.edu>

By Fellow, Churchill College, University of Cambridge, rmm41@cam.ac.uk

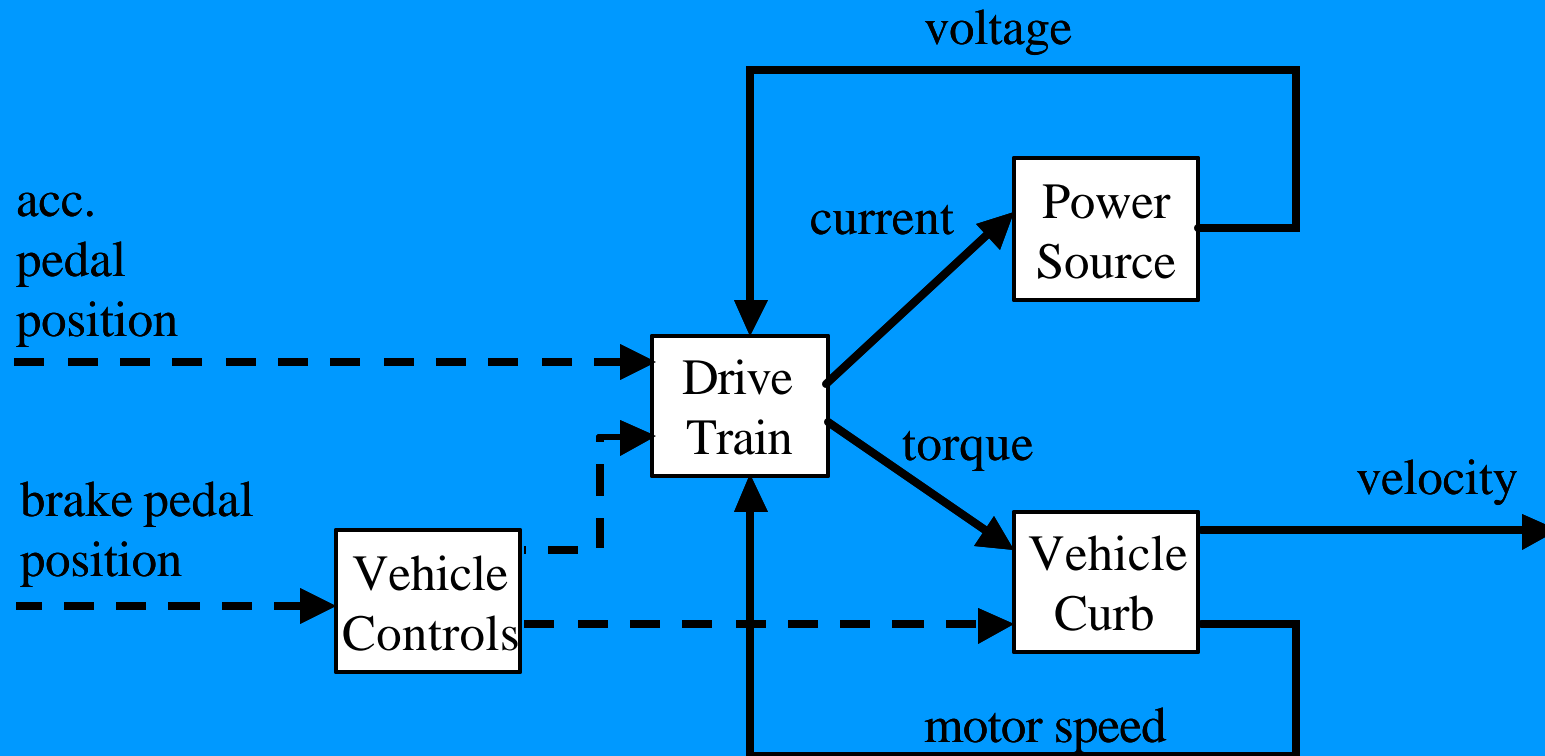
Co-Director, Fuel Cell Vehicle Center

University of California, Davis, CA 95616-8762 USA

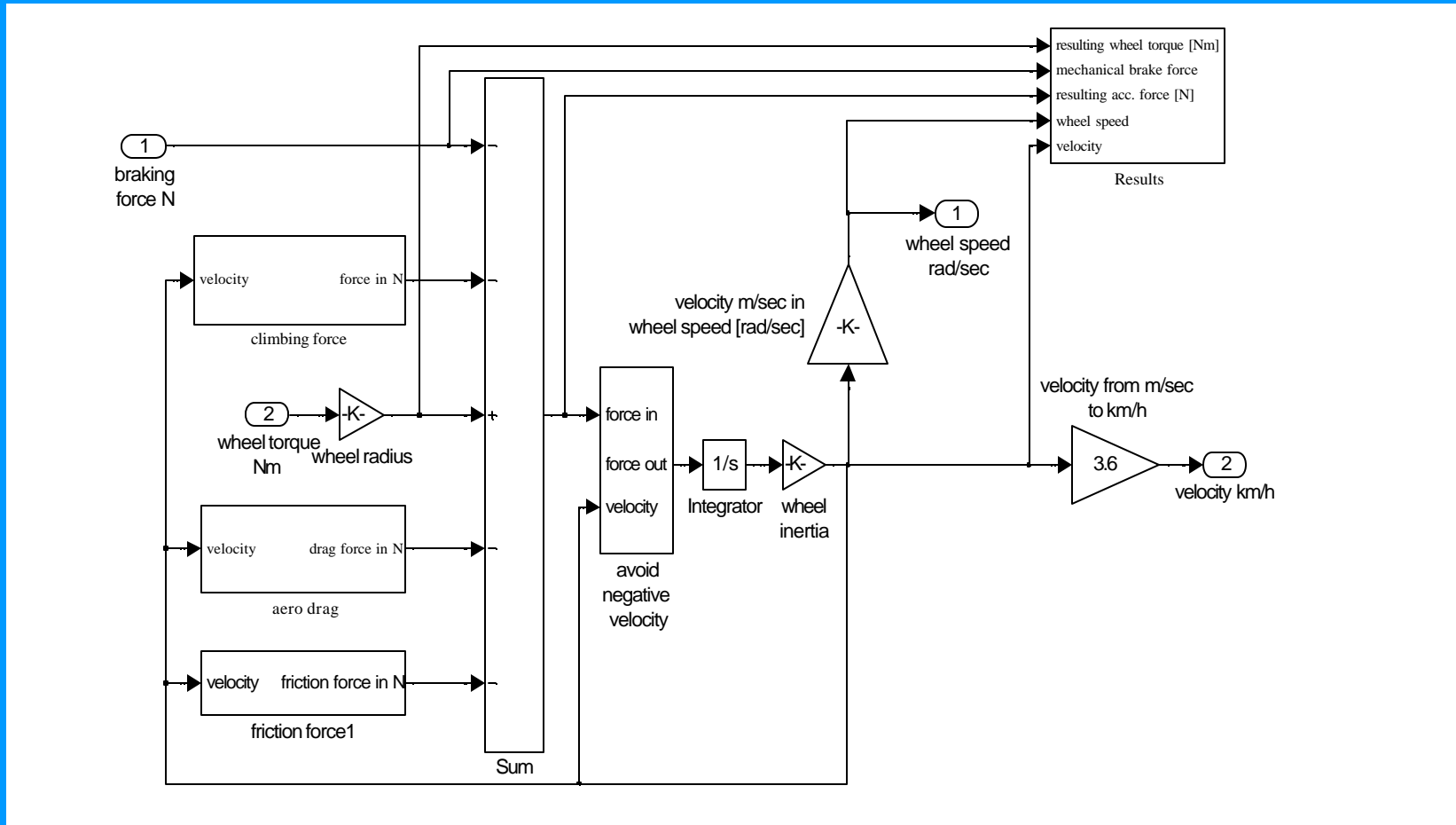
Uppermost level of *FCVSim*



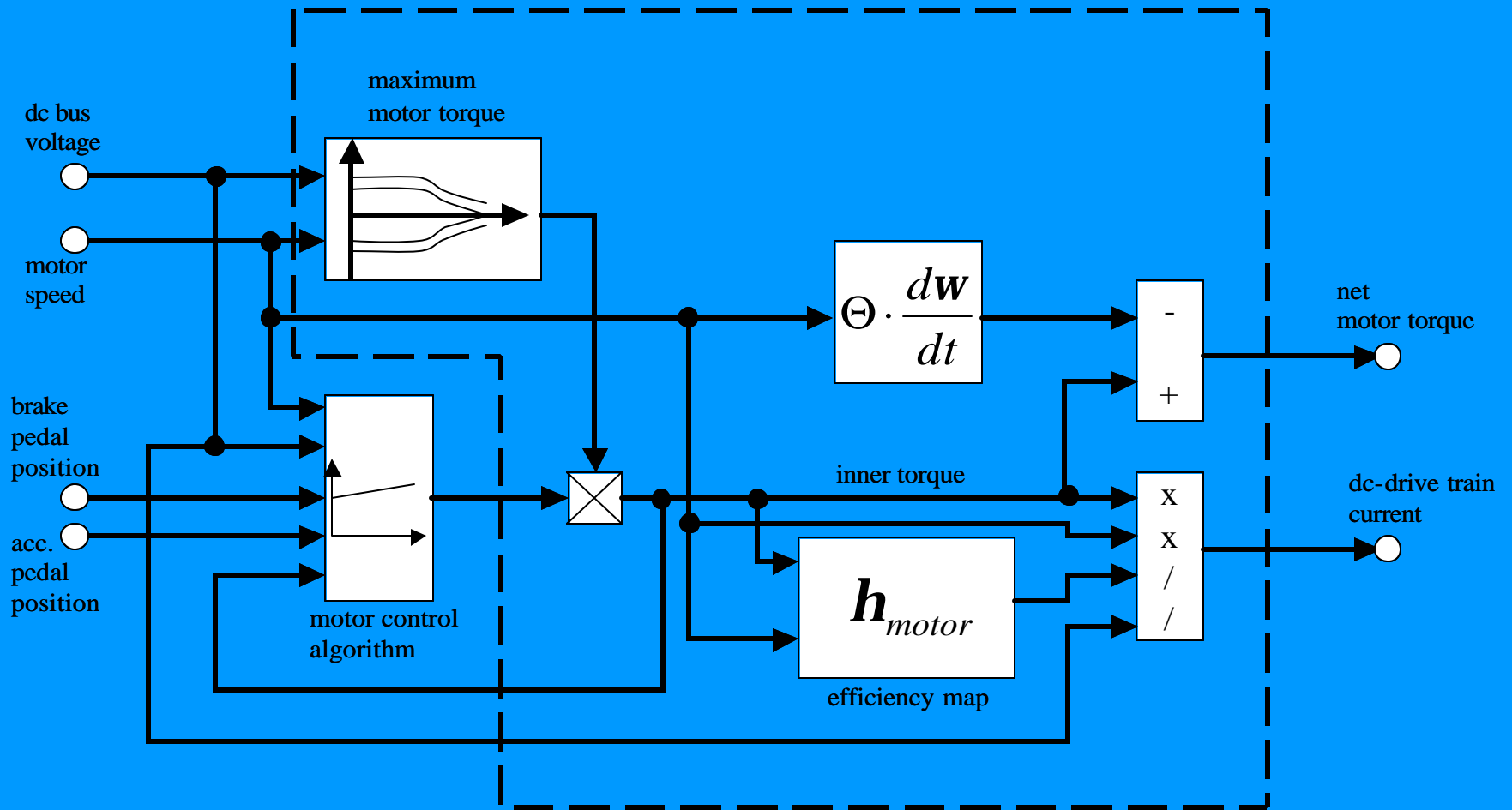
"Vehicle" Model Overall



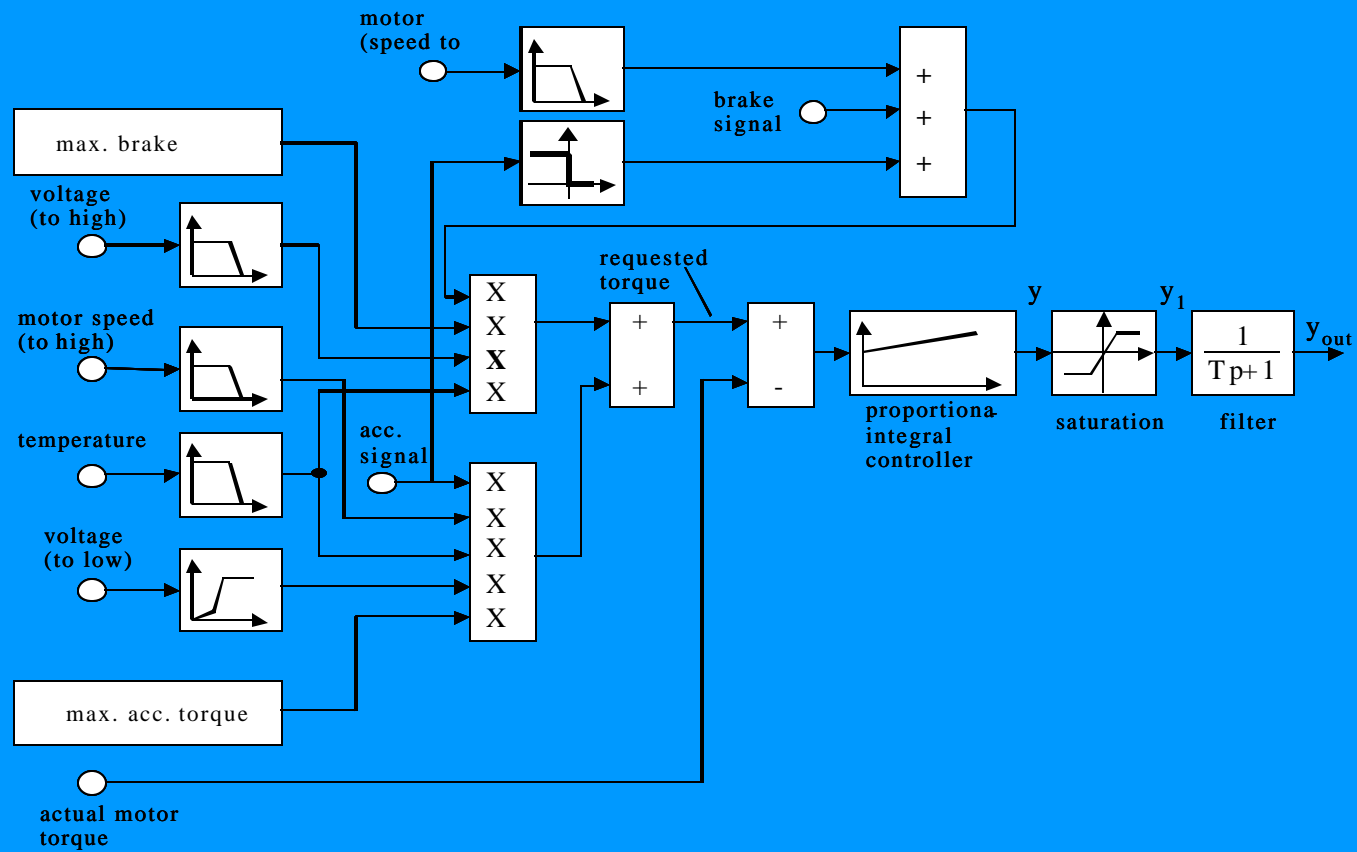
“Vehicle Curb” Block



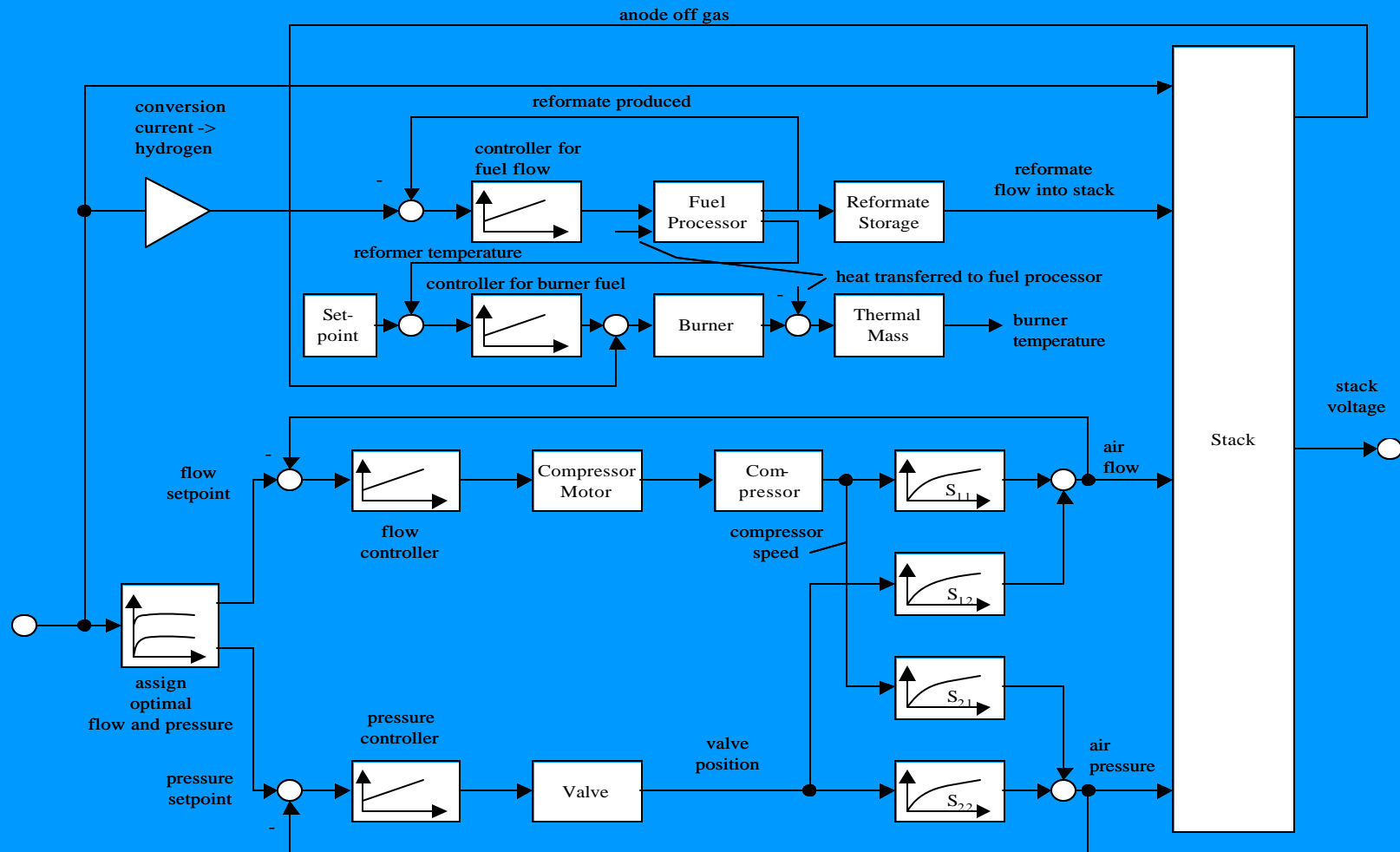
“Motor” Block Overview



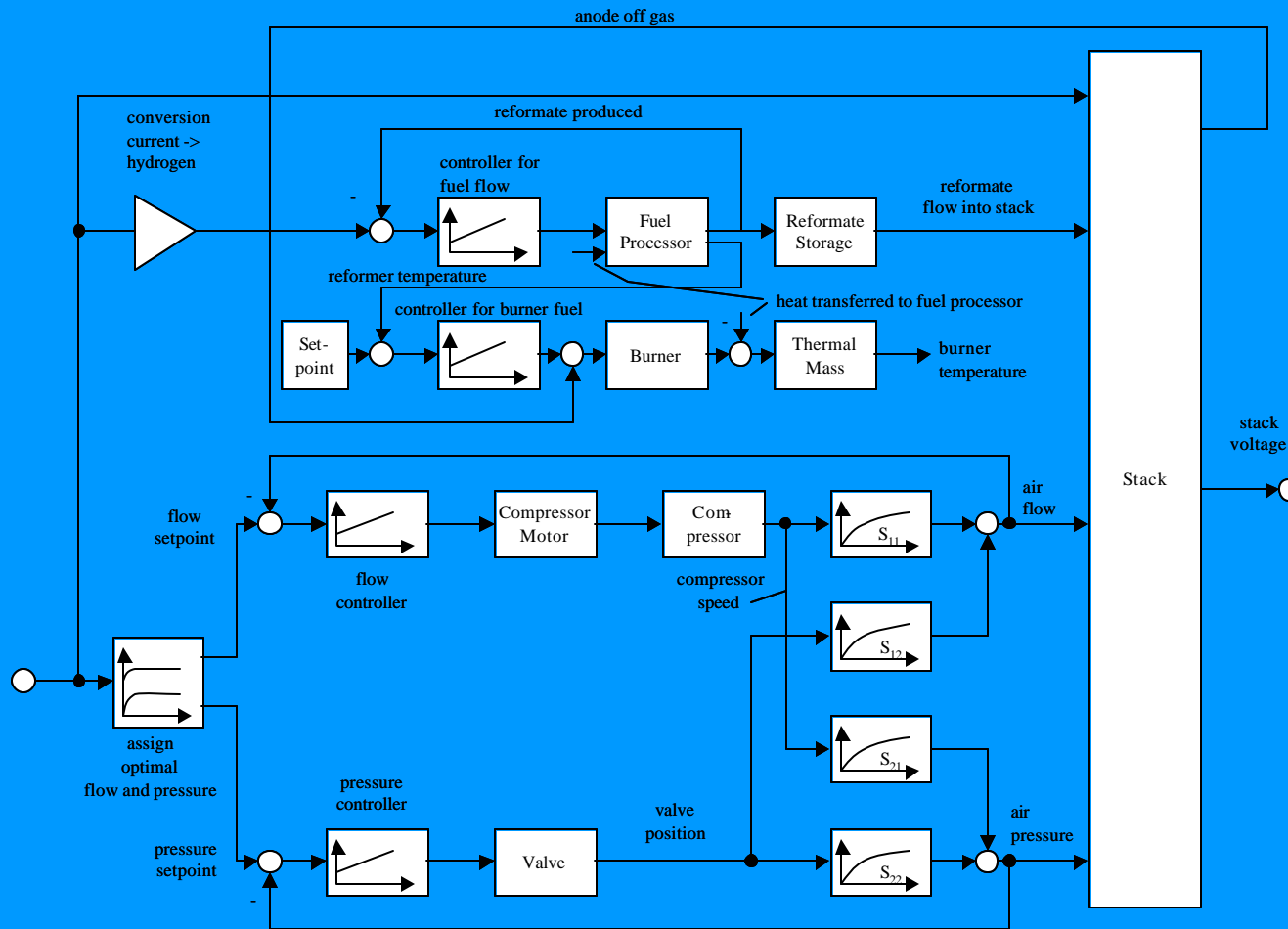
Motor Control Algorithm



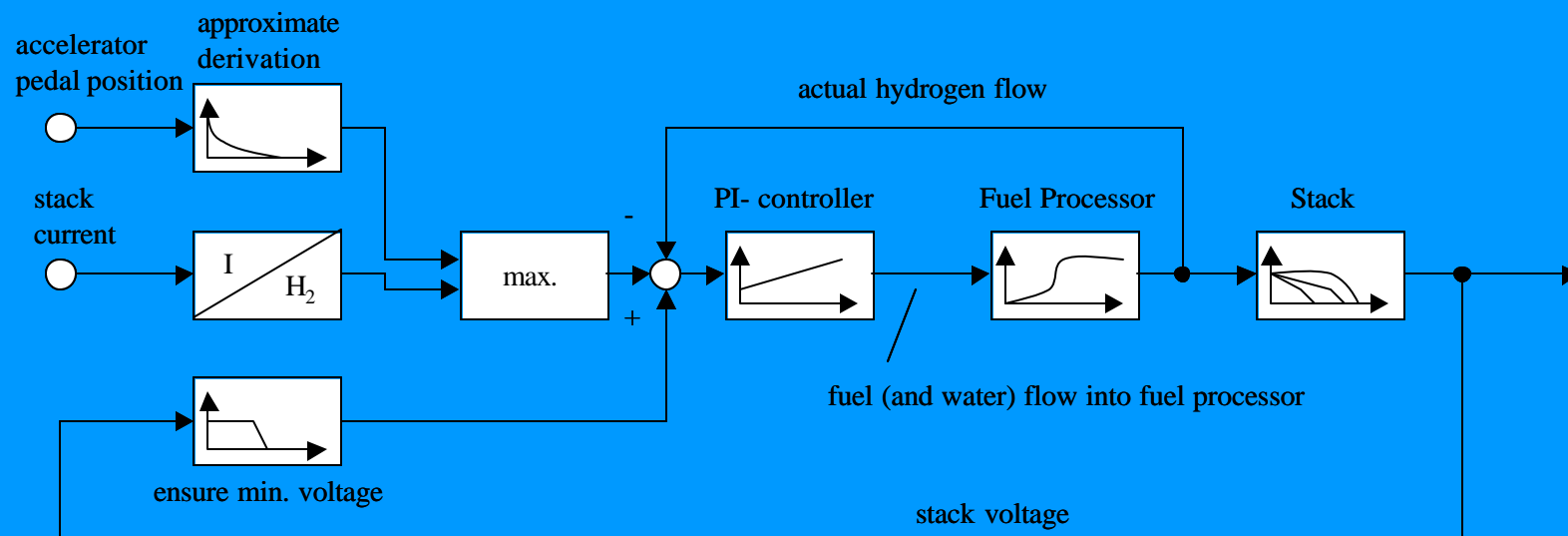
Fuel Cell System Overview



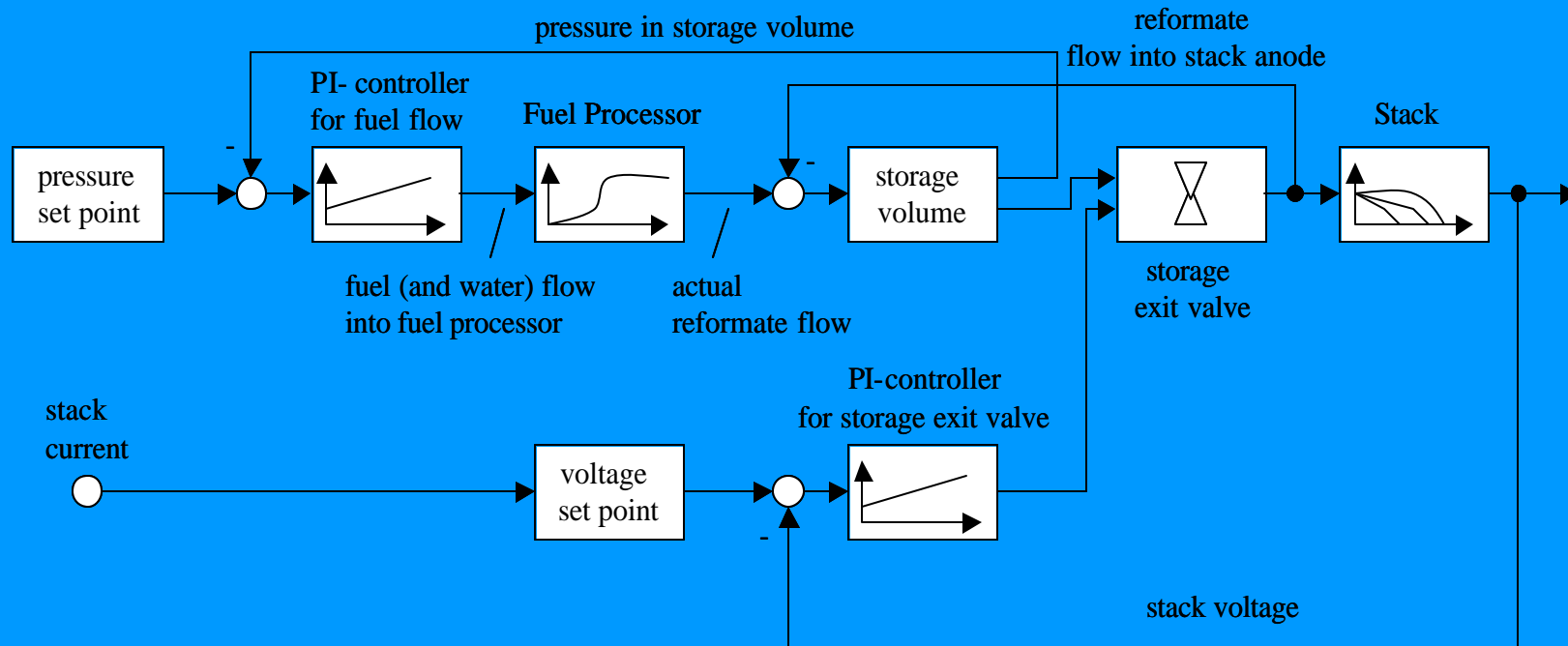
Fuel Cell System



Control Algorithm for Fuel Processor



Reformatate Buffer and Controller



“Controls for Fuel Cell Vehicles”

Invited Presentation

**“Controls for Fuel Cells” Workshop
National Fuel Cell Research Center (NFCRC)
University of California, Irvine, California
3-4 April 2003**

Dr. R. M. Moore, rmmoore@ucdavis.edu

Director, Fuel Cell Vehicle Modeling Project, <http://fcv.ucdavis.edu>

By Fellow, Churchill College, University of Cambridge, rmm41@cam.ac.uk

Co-Director, Fuel Cell Vehicle Center

University of California, Davis, CA 95616-8762 USA